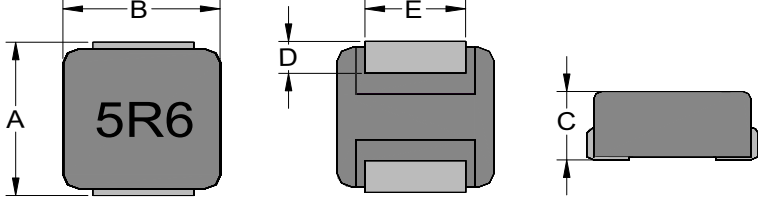


SPECIFICATION FOR APPROVAL

COMMODITY	Molding SMD Power Coils	SPEC NO.	SP-0230717019
ITEM	JRPI 0401PH-5R6M Green	版本：A	表單編號：QR-012-02

(1) DIMENSION: (UNIT: mm)		DIM.	TOL.	
	A	4.30	± 0.20	
	B	4.10	± 0.20	
	C	0.70	± 0.10	
	D	0.80	± 0.25	
	E	2.00	± 0.20	

(2) ELECTRICAL CHARACTERISTIC			TEST INSTRUMENTS.
INDUCTANCE	5.6 ± 20%	μH	<input type="checkbox"/> AGILENT 4294A Precision Impedance Analyzer
TEST FREQUENCY	100	KHz	<input type="checkbox"/> Agilent 4287A RF LCR Meter
TEST VOLT	1	V	<input type="checkbox"/> AGILENT 4285A Precision L.C.R.
RDC	250 (typ.) 300 (max)	mΩ	<input type="checkbox"/> HP-4286A RF L.C.R. Meter.
Isat	2.3 (typ.) 1.9 (max)	A	<input checked="" type="checkbox"/> CHROMA 3302 Automatic Components Analyzer.
Irms	1.7 (typ.) 1.6 (max)	A	<input type="checkbox"/> WAYNE KERR 6420 Precision Impedance Analyzer.
			<input checked="" type="checkbox"/> ZENTECH 1320 BIAS CURRENT.
			<input checked="" type="checkbox"/> BK PRECISION 2840 DC Resistance Meter
			<input type="checkbox"/> ZENTECH 502AC Resistance Meter
			<input type="checkbox"/> ADEX AX-1155B DC Low Ohm Meter
			<input type="checkbox"/> WAYNE KERR HI-POT TESTER 7600

REMARK :

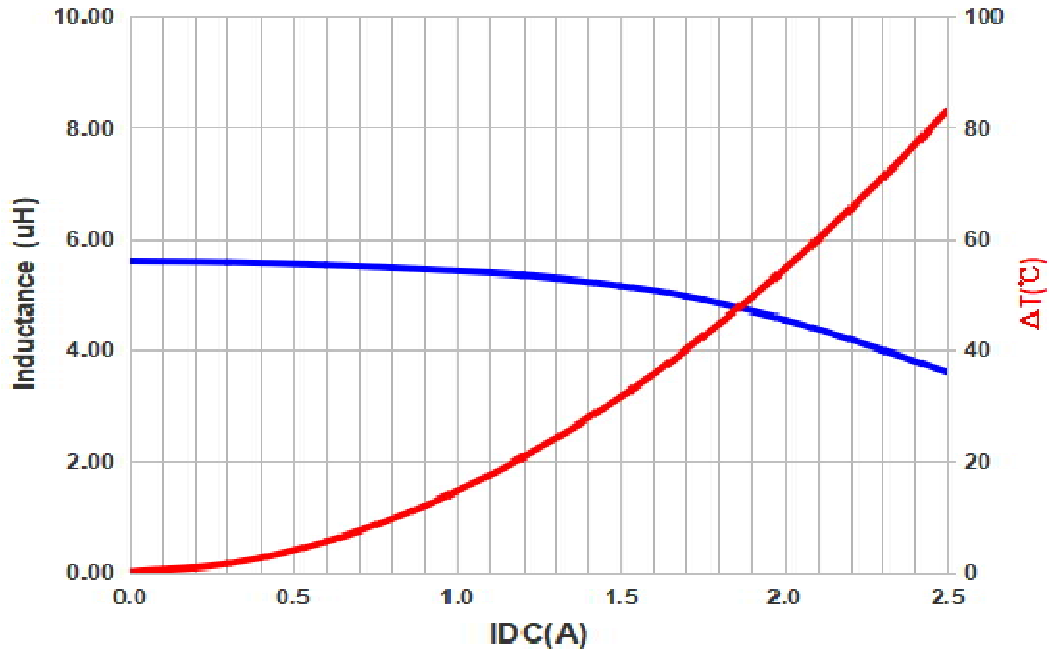
1. All test data referenced to 25°C ambient.
2. Saturation Current (Isat) will cause L0 to drop approximately 30%
3. Heat Rated Current (Irms) will cause the coil temperature rise approximately ΔT of 40°C

PURCHASER CONFIRMED :	APPROVED	CHECKED	DRAWN
			

TEST REPORT

SPEC NO : SP-0230717019

Typical Performance Curves



Test Instrument :

Chroma 3302 Automatic Components Analyzer
ZENTECH 1320 BIAS CURRENT

Testing Condition :

Temperature : 25 to 28°C
Humidity : 60 to 70 % RH

Check by :



Test by :

