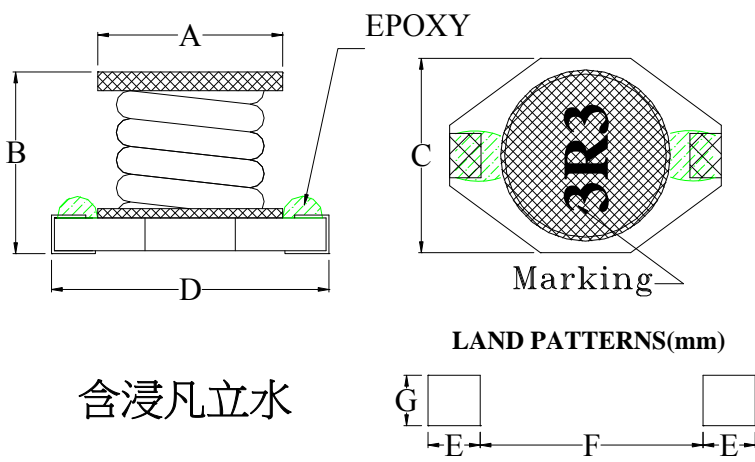


SPECIFICATION FOR APPROVAL

COMMODITY	SMD POWER COIL	SPEC NO.	SP-060802083
ITEM	JSPK 0804-3R3M-A Green	版本：A	表單編號：QRRD-01-02

(1) DIMENSION: (UNIT: mm)		DIM.	TOL.
 <p style="text-align: center;">LAND PATTERNS(mm)</p> <p style="text-align: center;">含浸凡立水</p>	A	9.0	Max.
	B	5.5	Max.
	C	9.5	Max.
	D	13.5	Max.
	E	2.92	REF.
	F	7.37	REF.
	G	2.79	REF.

(2) ELECTRICAL CHARACTERISTIC	TEST INSTRUMENTS.
INDUCTANCE	$3.3 \pm 20\%$ μ H
TEST FREQUENCY	100 KHz
TEST VOLT	0.1 V
RDC	15 (max) m Ω
Isat	6.4 (max) A
Irms	5.4 (max) A
	<input checked="" type="checkbox"/> AGILENT 4294A Precision Impedance Analyzer. <input type="checkbox"/> AGILENT 4285A Precision L.C.R. Meter. <input type="checkbox"/> HP-4286A RF L.C.R. Meter. <input checked="" type="checkbox"/> ZENTECH 3302 Automatic Components Analyzer. <input type="checkbox"/> ZENTECH 101 L.C.R. Meter. <input type="checkbox"/> WAYNE KERR 6420 Precision Impedance Analyzer. <input checked="" type="checkbox"/> ZENTECH 1320 BIAS CURRENT. <input checked="" type="checkbox"/> ZENTECH 502AC Resistance Merter. <input type="checkbox"/> ADEX AX-1155B DC Low Ohm Meter.

REMARK :

1. Inductance drop = 10% typ.at Isat.
2. $\Delta T = 40^{\circ}C$ typ.at Irms.

PURCHASER CONFIRMED	APPROVED	CHECKED	DRAWN
			