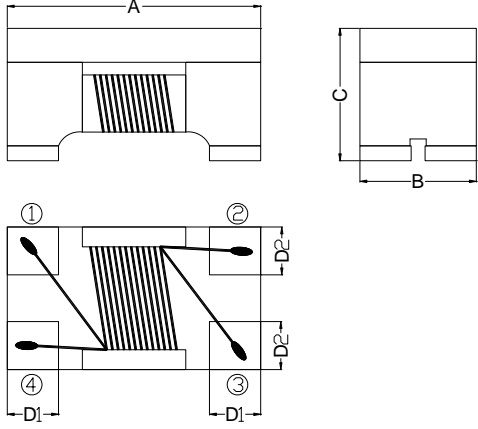


# SPECIFICATION FOR APPROVAL

COMMODITY	<b>COMMON MODE CHOKE</b>	SPEC NO.	SP-0210302006
ITEM	<b>JPWC 1812-900/4</b> <span style="border: 1px solid black; padding: 2px;">Green</span>	版本：A	表單編號：QR-012-02

(1) DIMENSION: (UNIT: mm)		DIM.	TOL.	
	A	4.50	±0.20	
	B	3.20	±0.20	
	C	2.80	±0.20	
	D1	0.90	±0.15	
	D2	1.05	±0.15	

(2) ELECTRICAL CHARACTERISTIC	TEST INSTRUMENTS.																																
<table border="1" style="width: 100%; border-collapse: collapse;"> <tr> <td style="width: 30%;">IMPEDANCE</td> <td style="width: 20%; text-align: center;">68 (min)</td> <td style="width: 10%;"></td> <td style="width: 10%; text-align: center;">Ω</td> </tr> <tr> <td></td> <td style="text-align: center;">90 (typ.)</td> <td></td> <td></td> </tr> <tr> <td>TEST FREQUENCY</td> <td style="text-align: center;">100</td> <td></td> <td style="text-align: center;">MHz</td> </tr> <tr> <td>DC RESISTANCE</td> <td style="text-align: center;">0.05 (max)</td> <td></td> <td style="text-align: center;">Ω</td> </tr> <tr> <td>RATED CURRENT</td> <td style="text-align: center;">4000 (max)</td> <td></td> <td style="text-align: center;">mA</td> </tr> <tr> <td>RATED VOLT.</td> <td style="text-align: center;">50 (max)</td> <td></td> <td style="text-align: center;">Vdc</td> </tr> <tr> <td>WITHSTAND VOLT.</td> <td style="text-align: center;">125 (max)</td> <td></td> <td style="text-align: center;">Vdc</td> </tr> <tr> <td>IR</td> <td style="text-align: center;">10 (min)</td> <td></td> <td style="text-align: center;">MΩ</td> </tr> </table>	IMPEDANCE	68 (min)		Ω		90 (typ.)			TEST FREQUENCY	100		MHz	DC RESISTANCE	0.05 (max)		Ω	RATED CURRENT	4000 (max)		mA	RATED VOLT.	50 (max)		Vdc	WITHSTAND VOLT.	125 (max)		Vdc	IR	10 (min)		MΩ	<input checked="" type="checkbox"/> AGILENT 4294A Precision Impedance Analyzer. <input type="checkbox"/> AGILENT 4285A Precision L.C.R. Meter. <input type="checkbox"/> HP-4286A RF L.C.R. Meter. <input checked="" type="checkbox"/> ZENTECH 3302 Automatic Components Analyzer. <input type="checkbox"/> ZENTECH 101 L.C.R. Meter. <input type="checkbox"/> WAYNE KERR 6420 Precision Impedance Analyzer. <input checked="" type="checkbox"/> ZENTECH 1320 BIAS CURRENT. <input checked="" type="checkbox"/> ZENTECH 502AC Resistance Merter. <input type="checkbox"/> ADEX AX-1155B DC Low Ohm Meter.
IMPEDANCE	68 (min)		Ω																														
	90 (typ.)																																
TEST FREQUENCY	100		MHz																														
DC RESISTANCE	0.05 (max)		Ω																														
RATED CURRENT	4000 (max)		mA																														
RATED VOLT.	50 (max)		Vdc																														
WITHSTAND VOLT.	125 (max)		Vdc																														
IR	10 (min)		MΩ																														

**REMARK :**

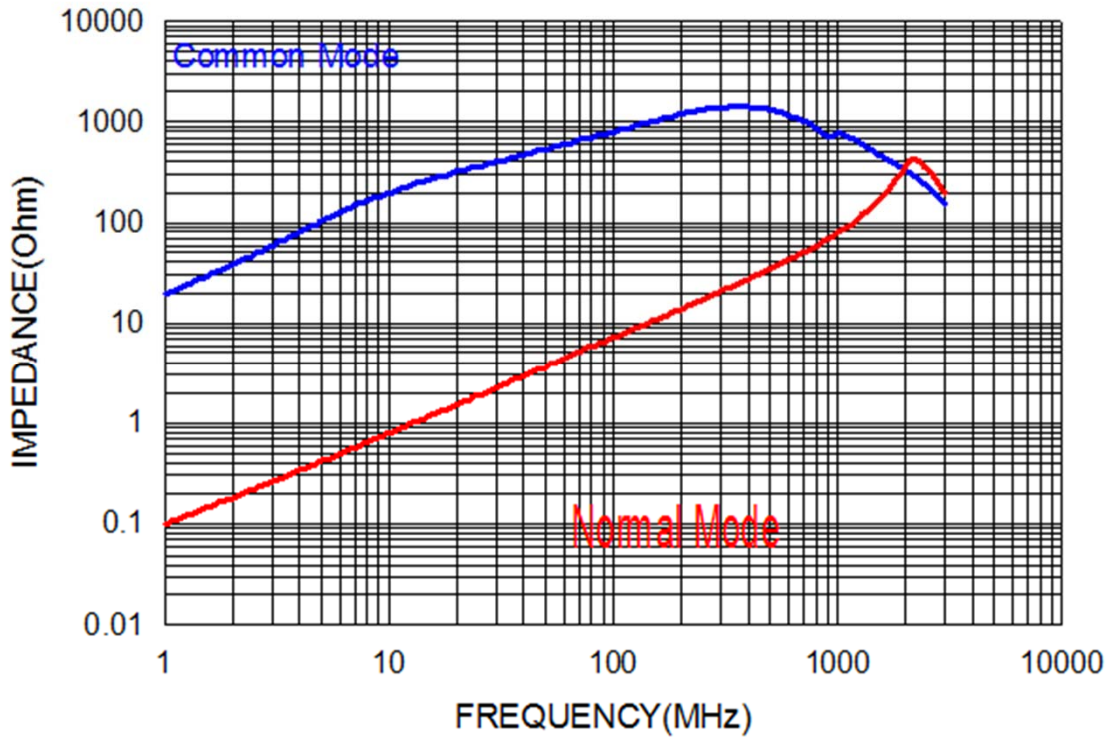
1. Operating temperature range : - 40°C to + 125°C (Including self temp. rise)
2. Storage temperature range : - 40°C to + 125°C (on board)

PURCHASER CONFIRMED	APPROVED	CHECKED	DRAWN
			

# TEST REPORT

SPEC NO : SP-0210302006

Typical Impedance v.s. Frequency Curve



Check by :



Test by :



TEL : 886-2-2689-4971 FAX : 886-2-2689-4260  
E-mail : jantek@jantek-elec.com.tw  
Web-Site : www.jantek-elec.com.tw