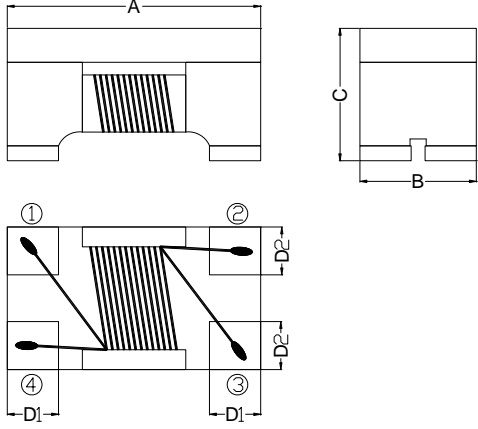


SPECIFICATION FOR APPROVAL

COMMODITY	COMMON MODE CHOKE	SPEC NO.	SP-0210302002
ITEM	JPWC 1812-231/3.5 Green	版本：A	表單編號：QR-012-02

(1) DIMENSION: (UNIT: mm)		DIM.	TOL.
	A	4.50	±0.20
	B	3.20	±0.20
	C	2.80	±0.20
	D1	0.90	±0.15
	D2	1.05	±0.15

(2) ELECTRICAL CHARACTERISTIC	TEST INSTRUMENTS.								
<table border="1" style="width: 100%; border-collapse: collapse;"> <tr> <td style="width: 30%;">IMPEDANCE</td> <td style="width: 20%; text-align: center;">173 (min)</td> <td style="width: 10%;"></td> <td style="width: 10%; text-align: center;">Ω</td> </tr> <tr> <td></td> <td style="text-align: center;">230 (typ.)</td> <td></td> <td></td> </tr> </table>	IMPEDANCE	173 (min)		Ω		230 (typ.)			<input checked="" type="checkbox"/> AGILENT 4294A Precision Impedance Analyzer. <input type="checkbox"/> AGILENT 4285A Precision L.C.R. Meter. <input type="checkbox"/> HP-4286A RF L.C.R. Meter. <input checked="" type="checkbox"/> ZENTECH 3302 Automatic Components Analyzer. <input type="checkbox"/> ZENTECH 101 L.C.R. Meter. <input type="checkbox"/> WAYNE KERR 6420 Precision Impedance Analyzer. <input checked="" type="checkbox"/> ZENTECH 1320 BIAS CURRENT. <input checked="" type="checkbox"/> ZENTECH 502AC Resistance Merter. <input type="checkbox"/> ADEX AX-1155B DC Low Ohm Meter.
IMPEDANCE	173 (min)		Ω						
	230 (typ.)								
<table border="1" style="width: 100%; border-collapse: collapse;"> <tr> <td>TEST FREQUENCY</td> <td style="text-align: center;">100</td> <td></td> <td style="text-align: center;">MHz</td> </tr> </table>	TEST FREQUENCY	100		MHz					
TEST FREQUENCY	100		MHz						
<table border="1" style="width: 100%; border-collapse: collapse;"> <tr> <td>DC RESISTANCE</td> <td style="text-align: center;">0.05 (max)</td> <td></td> <td style="text-align: center;">Ω</td> </tr> </table>	DC RESISTANCE	0.05 (max)		Ω					
DC RESISTANCE	0.05 (max)		Ω						
<table border="1" style="width: 100%; border-collapse: collapse;"> <tr> <td>RATED CURRENT</td> <td style="text-align: center;">3500 (max)</td> <td></td> <td style="text-align: center;">mA</td> </tr> </table>	RATED CURRENT	3500 (max)		mA					
RATED CURRENT	3500 (max)		mA						
<table border="1" style="width: 100%; border-collapse: collapse;"> <tr> <td>RATED VOLT.</td> <td style="text-align: center;">50 (max)</td> <td></td> <td style="text-align: center;">Vdc</td> </tr> </table>	RATED VOLT.	50 (max)		Vdc					
RATED VOLT.	50 (max)		Vdc						
<table border="1" style="width: 100%; border-collapse: collapse;"> <tr> <td>WITHSTAND VOLT.</td> <td style="text-align: center;">125 (max)</td> <td></td> <td style="text-align: center;">Vdc</td> </tr> </table>	WITHSTAND VOLT.	125 (max)		Vdc					
WITHSTAND VOLT.	125 (max)		Vdc						
<table border="1" style="width: 100%; border-collapse: collapse;"> <tr> <td>IR</td> <td style="text-align: center;">10 (min)</td> <td></td> <td style="text-align: center;">MΩ</td> </tr> </table>	IR	10 (min)		MΩ					
IR	10 (min)		MΩ						

REMARK :

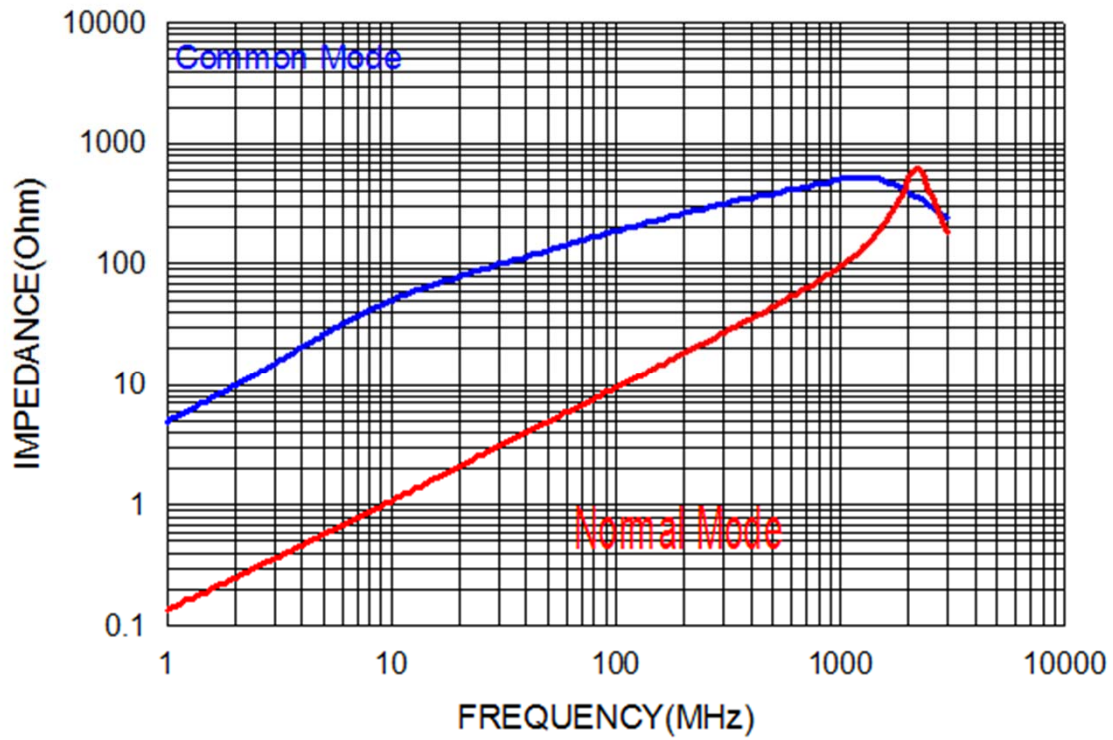
1. Operating temperature range : - 40°C to + 125°C (Including self temp. rise)
2. Storage temperature range : - 40°C to + 125°C (on board)

PURCHASER CONFIRMED	APPROVED	CHECKED	DRAWN
			

TEST REPORT

SPEC NO : SP-0210302002

Typical Impedance v.s. Frequency Curve



Check by :



Test by :



TEL : 886-2-2689-4971 FAX : 886-2-2689-4260
E-mail : jantek@jantek-elec.com.tw
Web-Site : www.jantek-elec.com.tw